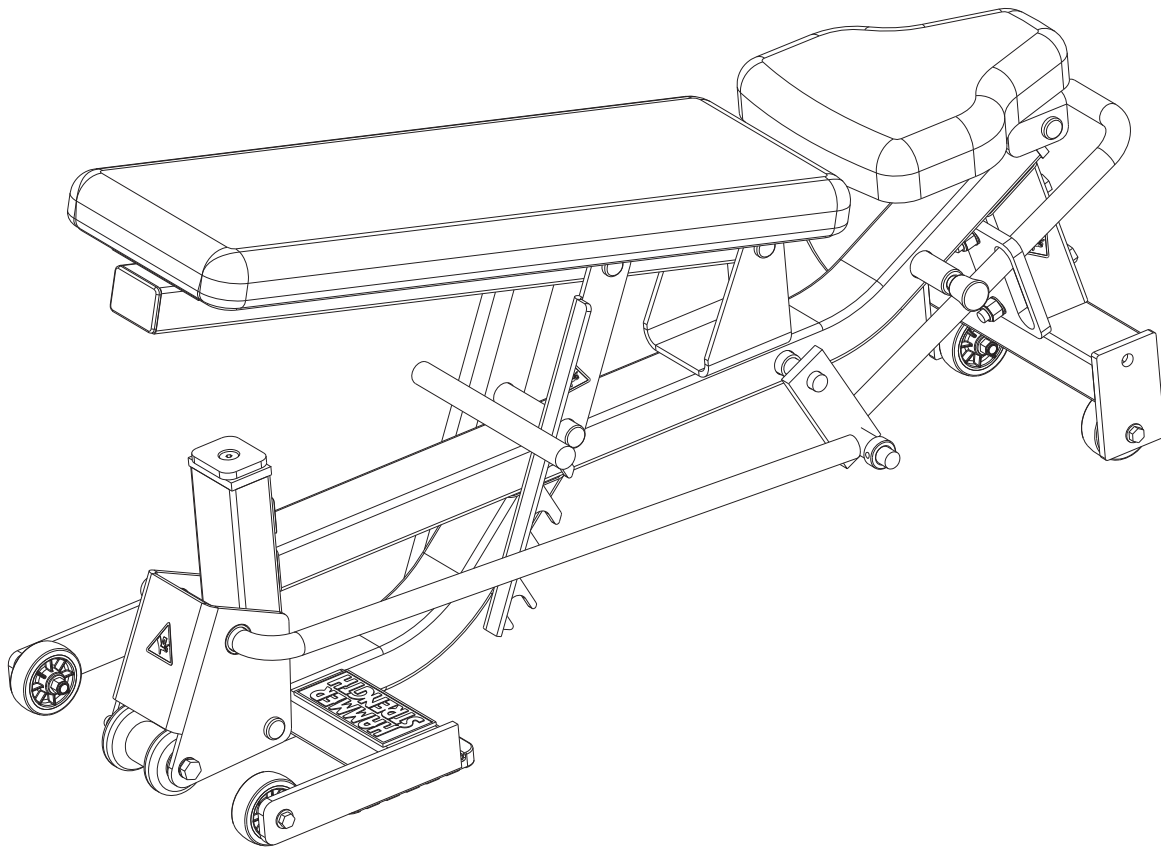


HAMMER STRENGTH®

HDADJ HEAVY DUTY ADJUSTABLE BENCH



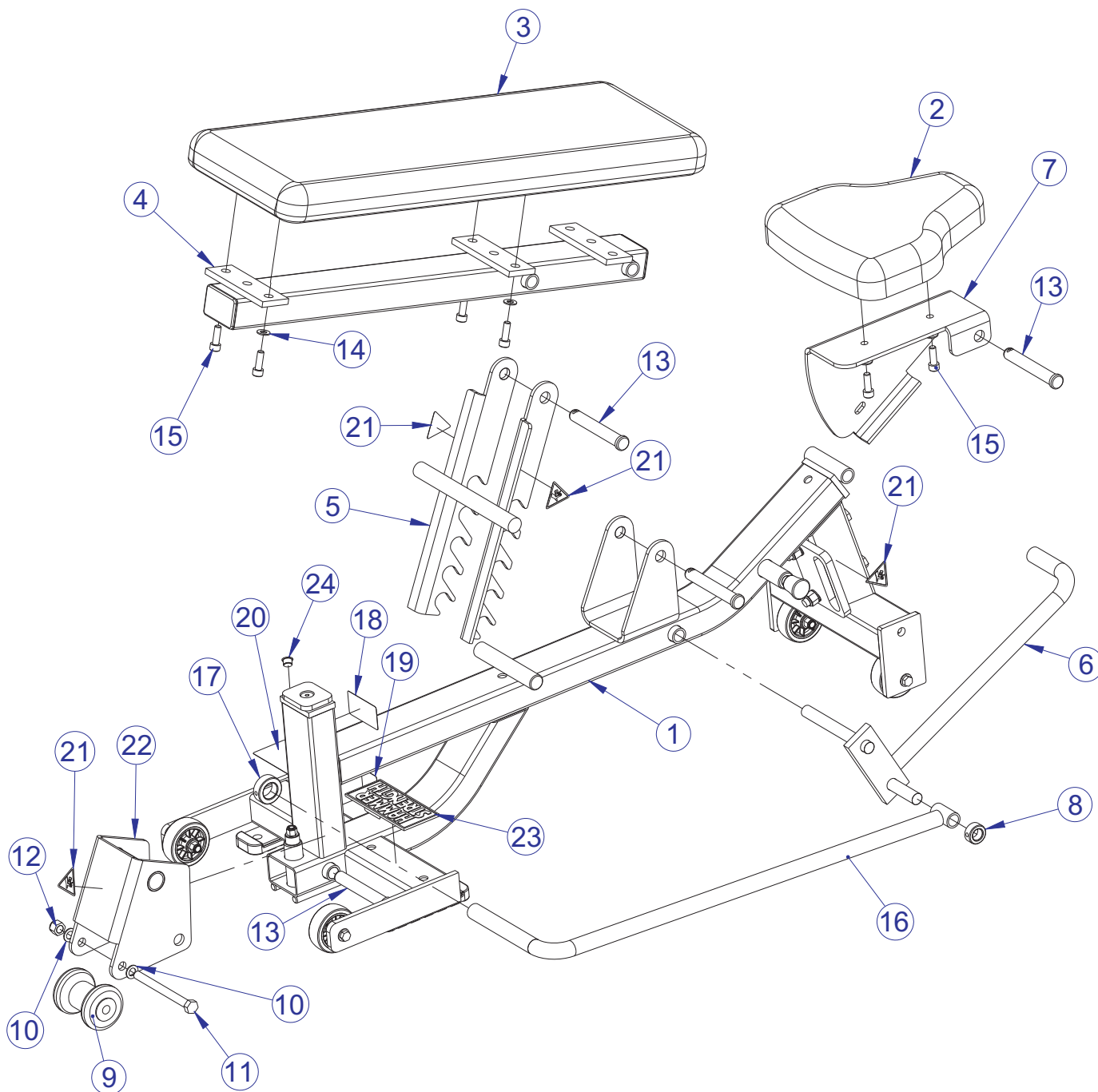
Customer Support Services
PARTS LIST

HDADJ HEAVY DUTY ADJUSTABLE BENCH CONTENTS

COMPONENT ASSEMBLY	pg.	3
COMPONENT ASSEMBLY LEGEND		4
BACK FRAME ASSEMBLY		5
BACK FRAME ASSEMBLY LEGEND		6
IMAGE		7

NOTE: ITEMS THAT HAVE AN ASTERISK (*) ARE FRAME COLOR SPECIFIC.
ORDERS MUST INCLUDE FRAME COLOR FOR THESE ITEMS.

HDADJ HEAVY DUTY ADJUSTABLE BENCH COMPONENT ASSEMBLY



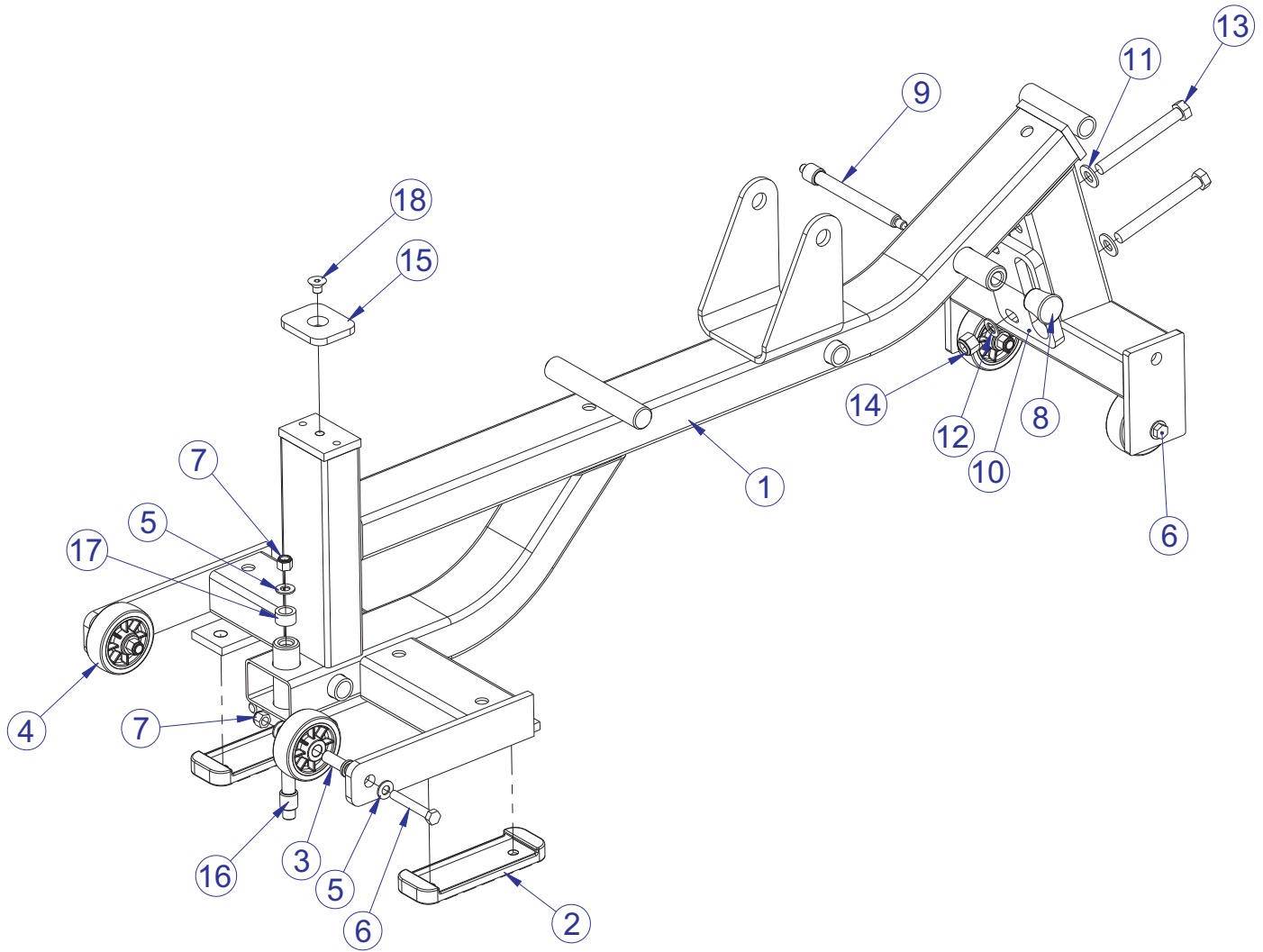
SEE PAGE 4 FOR LEGEND

HDADJ HEAVY DUTY ADJUSTABLE BENCH COMPONENT ASSEMBLY LEGEND

ITEM NO.	QTY.	PART NO.	DESCRIPTION
1*	1	HDADJ-CBF-0	ASSY - HDADJ COMP BACK FRAME
2	1	73519XX	PAD, SADDLE
3	1	73540XX	PAD, BACK 32-1/2 X 11-1/4
4*	1	HDADJ-CSB-0	ASM - BACK PAD MOUNT
5	1	HDADJ-GR-0	WLDMT, BACK PAD ADJUST
6*	1	HDADJ-MA-0	WDMT - OHDADJ HANDLE
7*	1	HDADJ-21-0	OHDADJ - SEAT PAD BKT
8	2	H-LCOLLAR75	3/4 ID LOCK COLLAR
9	1	HDADJ-FRT-ROLLER	FRONT ROLLER
10	2	WASH.5STAR	1/2" INTERNAL LOCK WASHER
11	1	HHB.5X5.5	1/2 X 5 1/2 BOLT
12	1	NUT.5LOCK	1/2" THICK LOCK NUT
13	4	HDADJ PIN	LONG SEAT PIN (HDADJ)
14	6	WASH.375SAE	3/8" SAE FLAT WASHER
15	6	3251703	SCREW, M10 X1.5 30MM
16*	1	HDADJ-LK-0	HDADJ ROLLER LINK
17	1	H-LCOLLAR1	3/4 ID LOCK COLLAR
18	1	SERIAL NUMBER	SERIAL NUMBER
19	1	PATENT	PATENT DECAL
20	1	WARNING LARGE-H	LARGE WARNING HOR.
21	4	8039501	LABEL, WARNING, TRIANGLE
22*	1	HDADJ-RBKT-0	WLDMT, FRT ROLLER BRACKET
23	1	H-NAME PLATE	HAMMER STRENGTH BADGE
24	1	H-LOCK-PLUG	9/16" HOLE PLUG

XX = ADD COLOR SUFFIX FOR DESIRED PAD COLOR
(EXAMPLE: 7351901 = PAD, SADDLE BLACK)

HDADJ HEAVY DUTY ADJUSTABLE BENCH BACK FRAME ASSEMBLY - HDADJ-CBF-0



SEE PAGE 6 FOR LEGEND

HDADJ HEAVY DUTY ADJUSTABLE BENCH BACK FRAME ASSEMBLY LEGEND

ITEM NO.	QTY.	PART NO.	DESCRIPTION
1*	1	HDADJ-BF-0	WDMT - OHDADJ BACK FRAME
2	2	MM-8	FOOTPAD, PS RUBBER
3	4	7961401	AXLE, FW, WHEEL
4	4	OK59-01164-0000	WHEEL, 3.0 OD X .50 ID OVERMOLD
5	9	WASH.375SAE	3/8" SAE FLAT WASHER
6	4	HHB.375X2.5	3/8 X 2 1/2 BOLT
7	5	NUT.375LOCK	3/8" THICK LOCK NUT
8	1	7351401	KNOB, TULIP STYLE
9	1	7425102	PIN, PULL X 6.75
10	1	HDADJ-15-01	BENCH HANDLE GUIDE
11	2	WASH.5SAE	1/2" SAE FLAT WASHER
12	2	WASH.5STAR	1/2" INTERNAL LOCK WASHER
13	2	HHB.5X4.5	1/2 X 4 1/2 BOLT
14	2	NUT.5LOCK	1/2" THICK LOCK NUT
15	1	HD-BS-PNT-GRD-SML-02	BAR SUPT SML PNT GRD
16	1	7351301	PIN, PULL X 4.375
17	1	NYLON SPACER 0.50	AD-AB SPACER
18	1	3/8 X 1/2 FHSCS	0.375 X 1/2" FLAT HEAD CAP SCREW

HDADJ HEAVY DUTY ADJUSTABLE BENCH IMAGE

